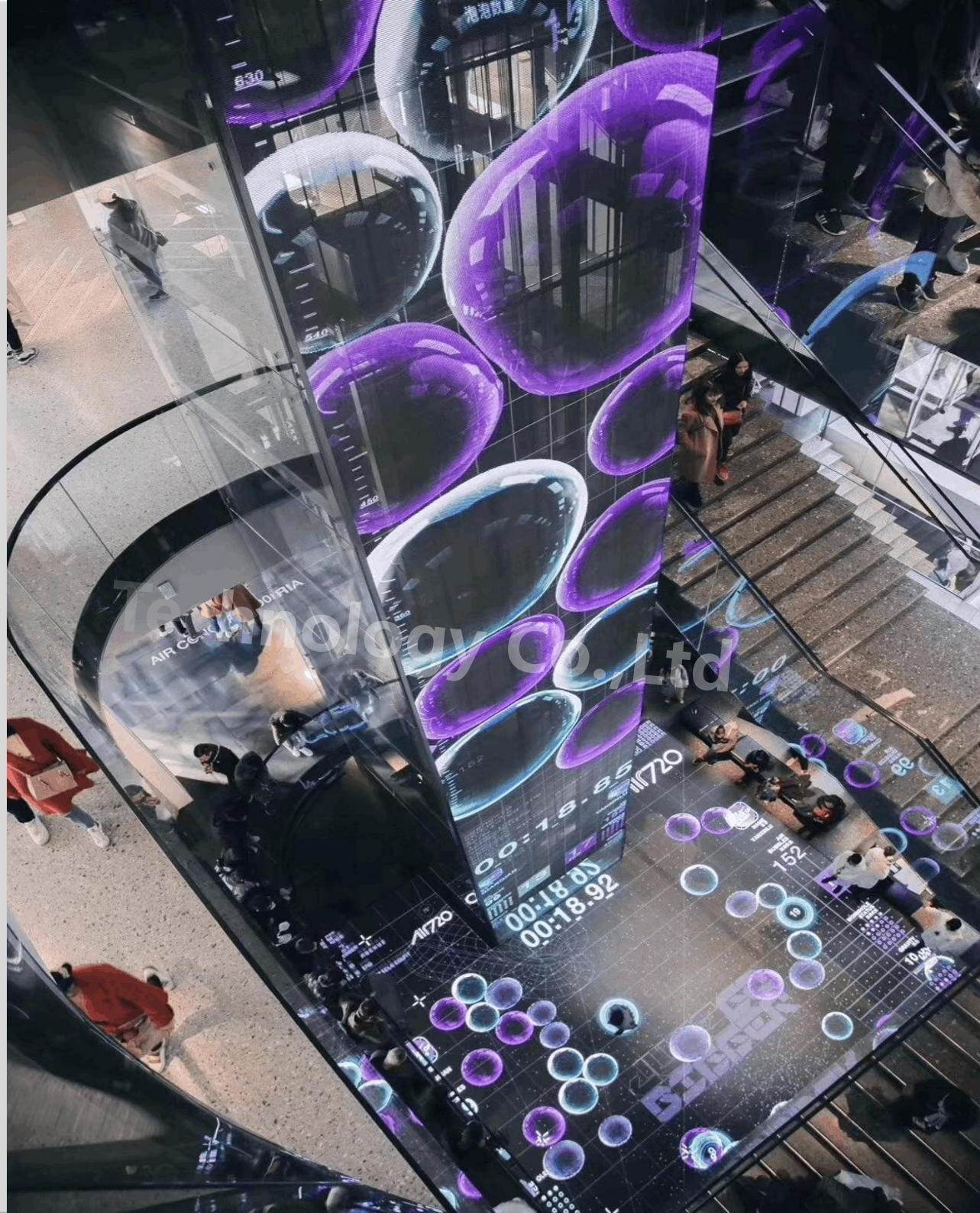


# TP P3.9-7.8

Innovative Indoor Transparent LED Display

---

**RELEASE  
YOUR  
CREATIVITY**





## Super Light

---

Only **9Kg/m<sup>2</sup>**

**75%**

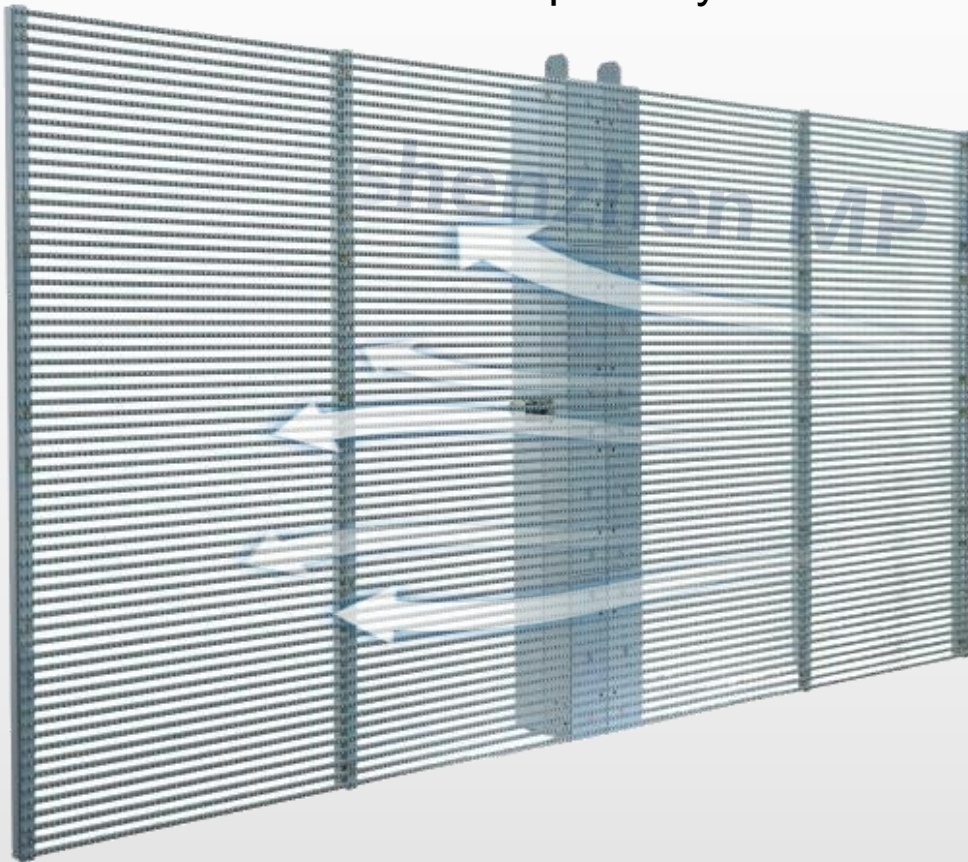
weight less than traditional led display

Only **10kg/m<sup>2</sup>** for steel structure

**80%**

weight less than steel structure for traditional led display

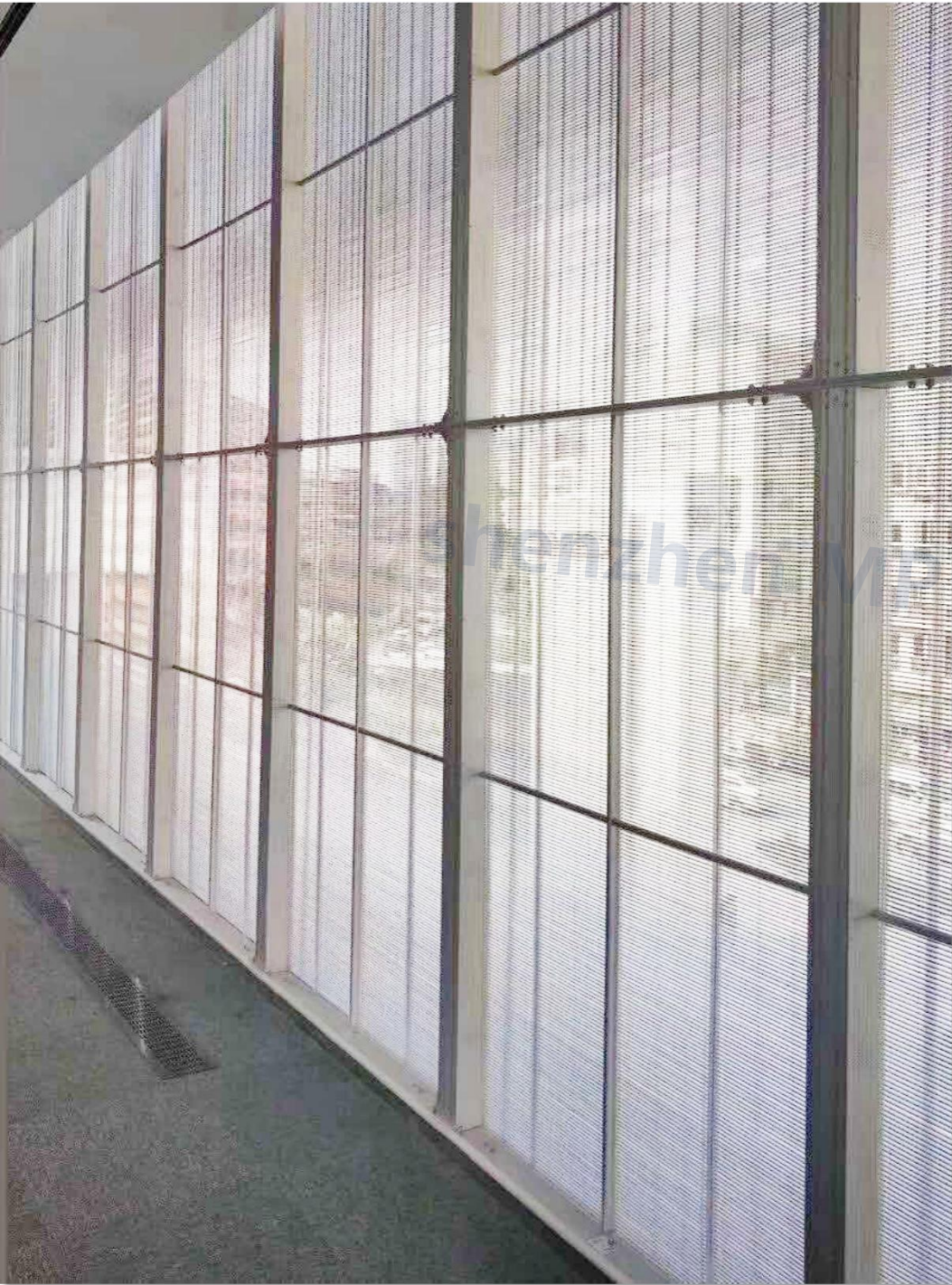
transparency



55%~78% transparency

Advantages:

- 1.Keep lighting for building inside
- 2.Keep wind through from transparent led display
- 3.Less weight



Now, let's check how much we can save with it.....

1. Steel structure cost, **70% save**

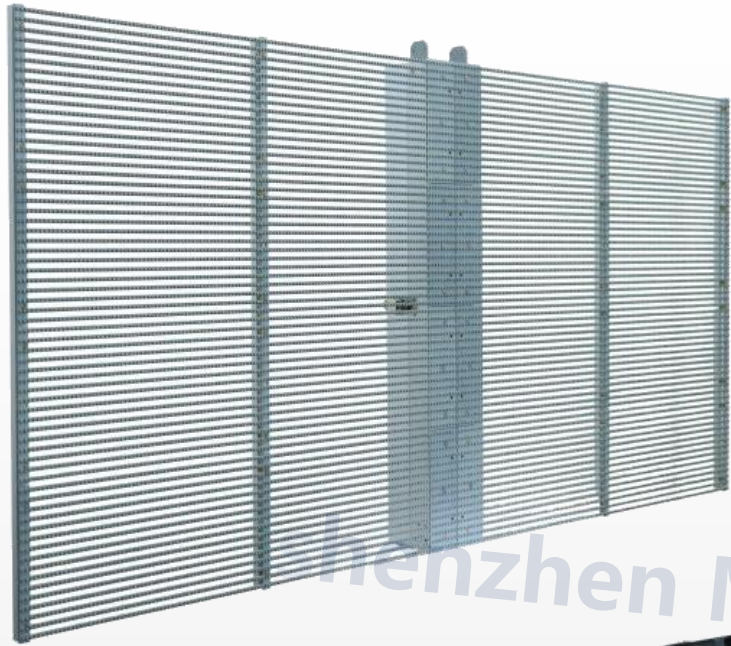
2. Labor cost, **80% save**

3. Shipment cost, **75% save**

4. Maintenance and operation cost, **80% save**

5. Electricity cost, **70% save**





Shenzhen MP LED

Technology Co.,Ltd

Black color and white  
color frame as option





Shenzhen MP LED Technology Co., Ltd

**Size customization available**

This product unit panel size can well customize according to real window/site size/situation to make it 100% suit with buildings.



**Design customization  
available**

This product can well accept for  
customized irregular shape, like  
led cube, led column, curved led,  
etc.

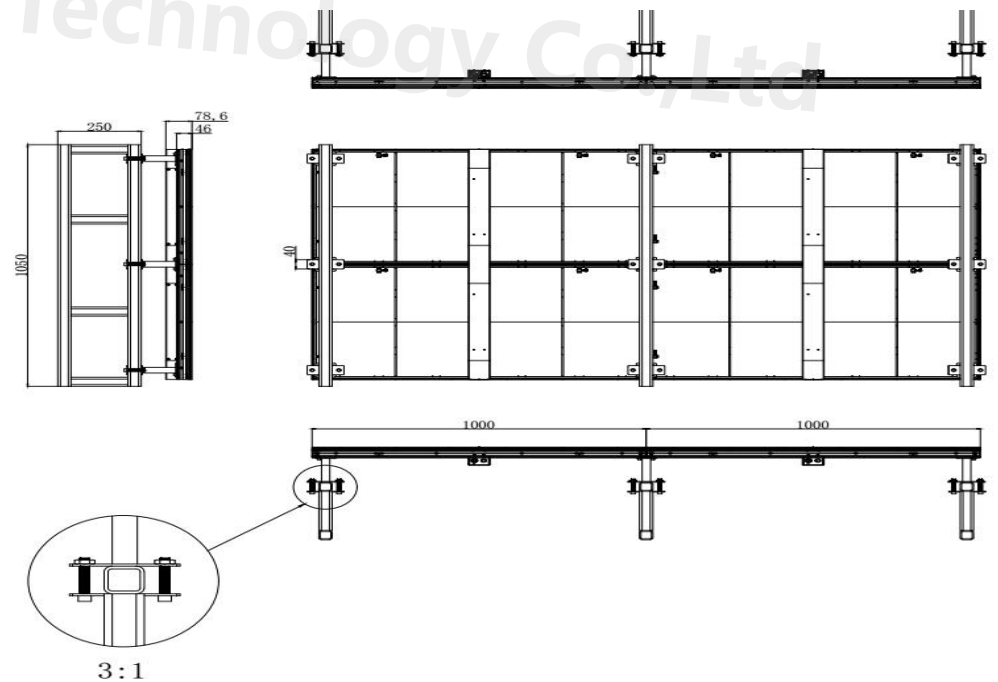
Shenzhen MP LED Technology Co., Ltd





### Installation Method:stack

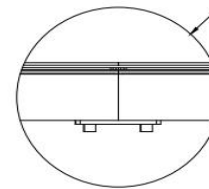
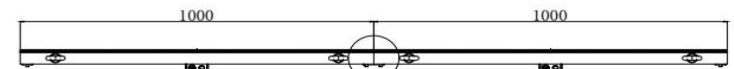
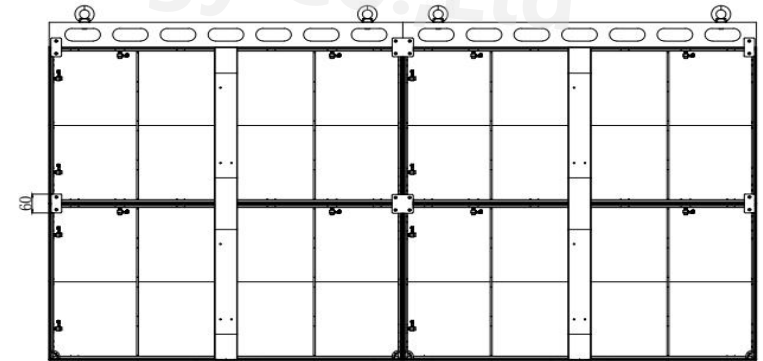
Application: store showcase, CBD building,  
airport, station, shopping mall





**Installation Method: Hanging**

Application: stage, store, night bar, club, science museum

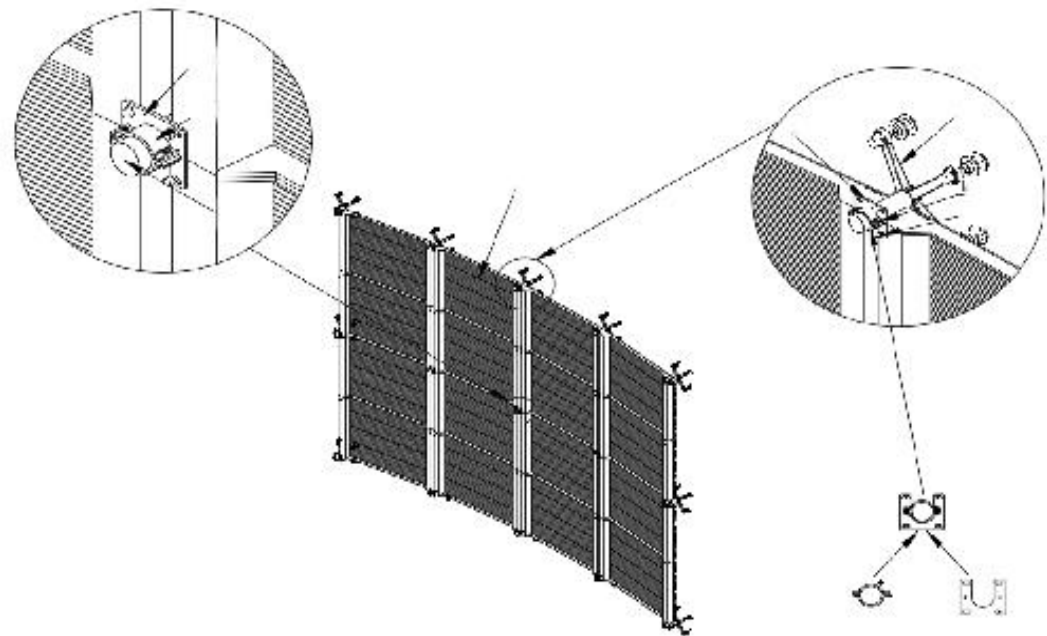


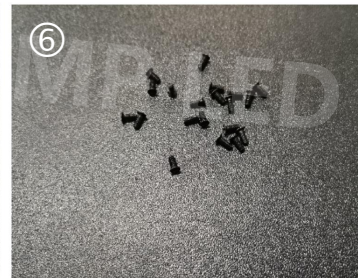


**Installation Method: Glass Claw fixed**

Application: elevator, building glass wall, airport station

Technology Co.,Ltd





1 cabinet screws

2 connecting plates screws

3 Side cabinet connecting plates

4 Vertical cabinet connecting plates

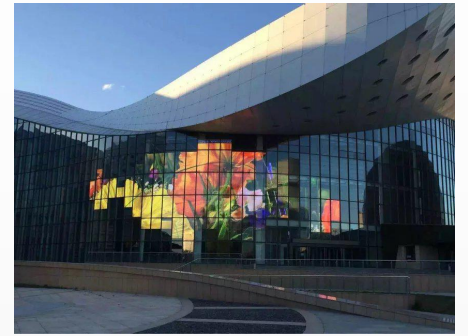
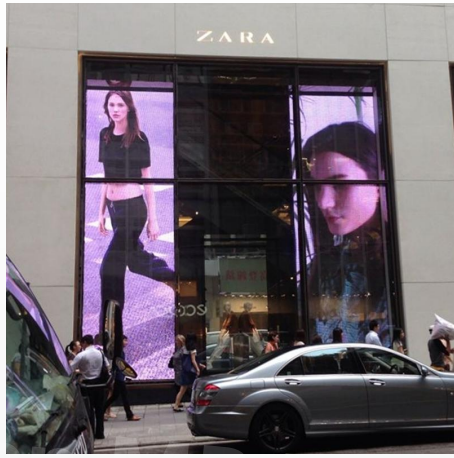
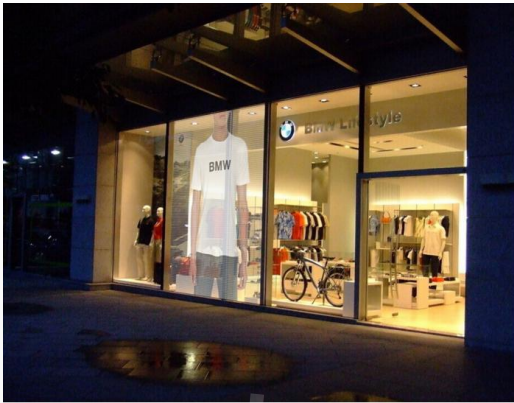
5 Hanging bar screws

6 Module mask screw

7 Ground bar

8 Cabinet power cable

9 Cabinet signal cable



## Project & Application

## Specification for transparent led display P3.9-7.8

Pixel pitch	3.91-7.8mm	
LED configuration	SMD2020/SMD1921	
Brightness	1200/3500/5000nits	
Viewing angle	160°/ 140° (50% brightness)	
Scan mode	1/8	
Refresh rate	1920Hz	
Processing	16 bits	
Module size	500mm x 125 x 20mm (W x H x D)	19.69" x 4.92" x 0.78" (W x H x D)
Panel size	500mm x 1000 x 75mm (W x H x D)	19.69" x 39.37" x 2.95" (W x H x D)
Panel weight	4.5kg	
Input voltage	AC100~240V 50/60 HZ	
Power consumption (Avg)	120W/sqm	
Power consumption (Max)	400W/sqm	
Working temperature	-20°C~60°C	
IP rating	IP31/IP31	
Life span	100,000 hrs	
Warranty	24 months	